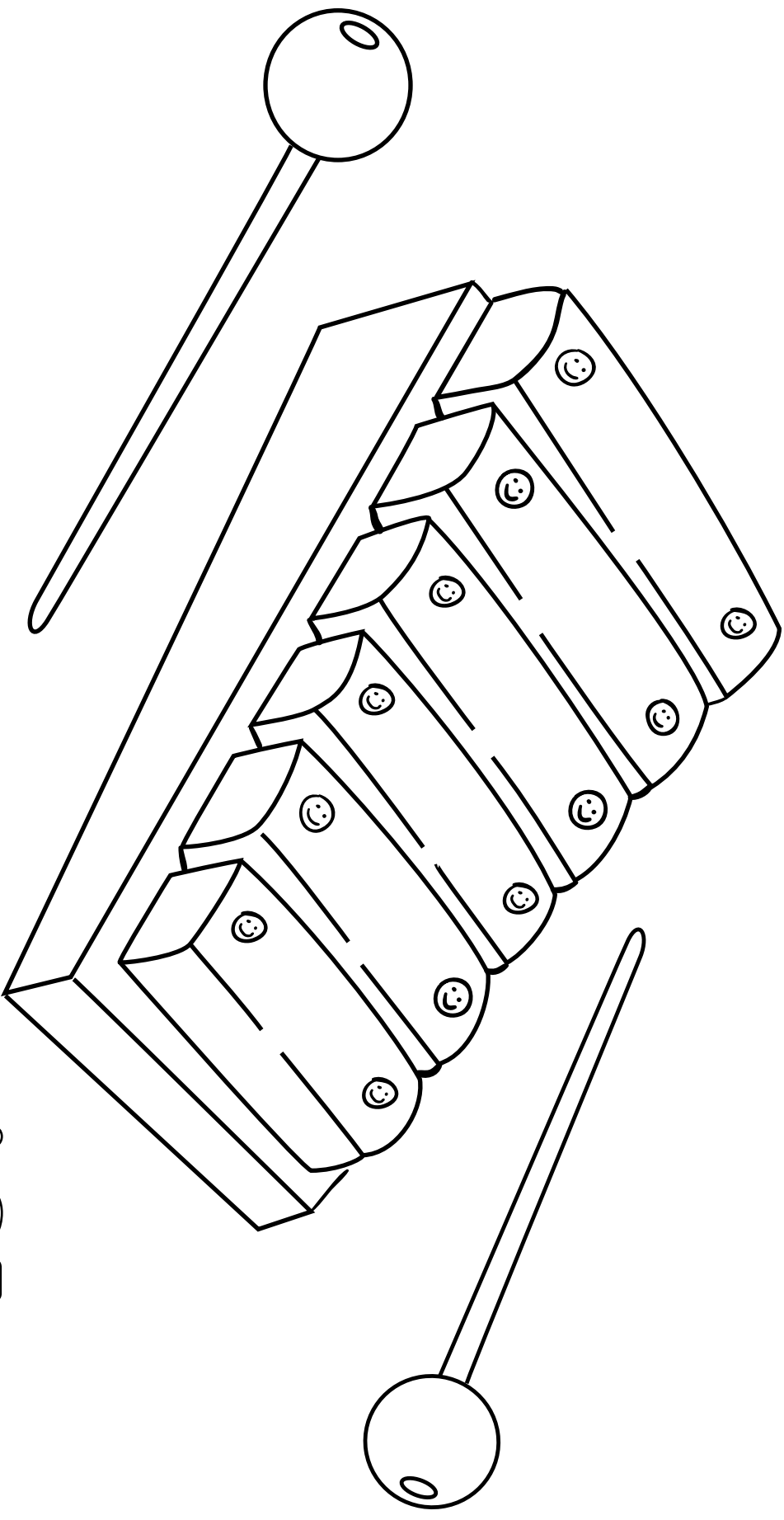


MUSIC IS FUN



NAME _____

AGE _____

Color A Smile

P O Box 1516

Morristown NJ 07962-1516

A non-profit organization spreading smiles with cheerful drawings.

ph 973-540-9222

www.colorasmile.org